

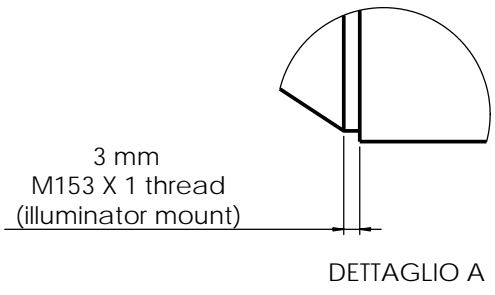
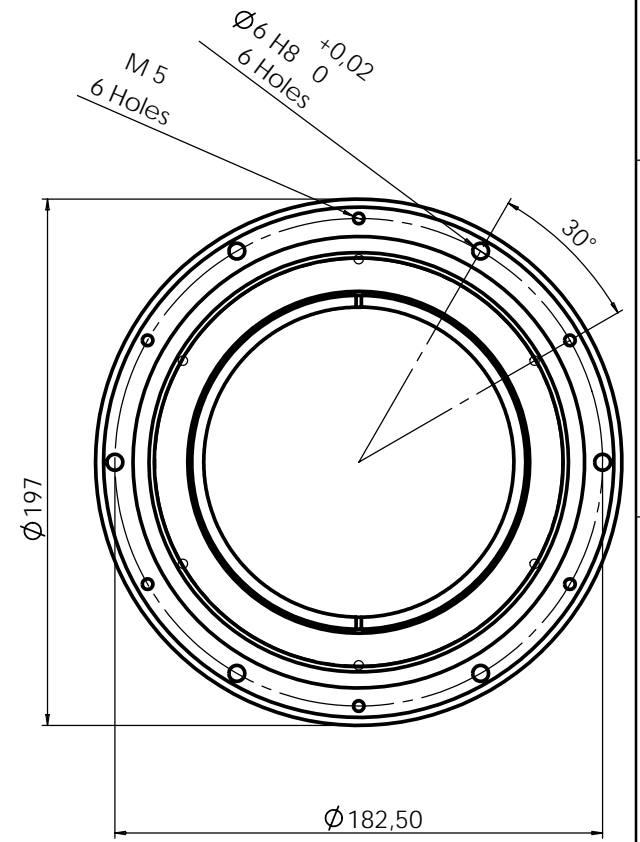
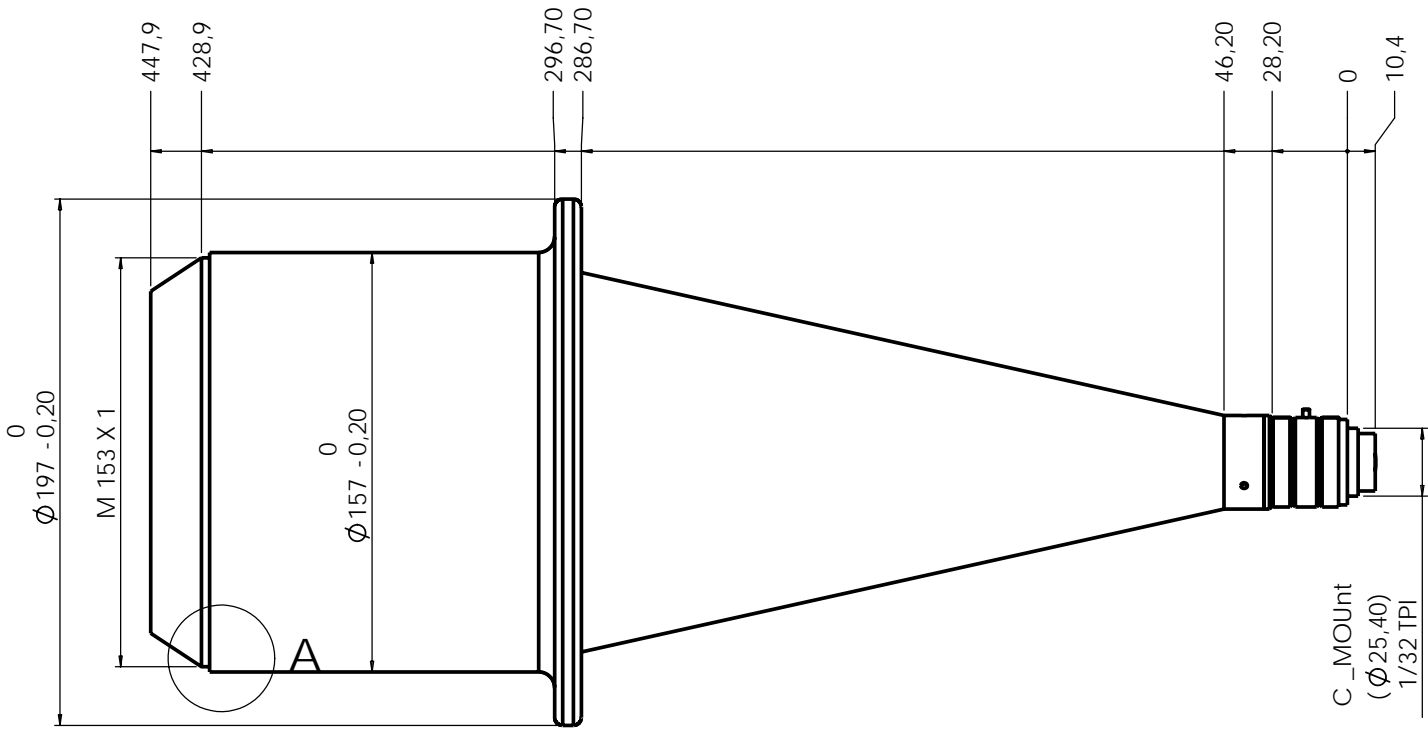
PC12030HP

360° View Pericentric lens for 1/2" detectors



part number		PC12030HP
Detector Size		1/2"
min. FOV (diam x height)	(mm x mm)	20 x 60
typ. FOV (diam x height)	(mm x mm)	30 x 30
max. FOV (diam x height)	(mm x mm)	60 x 20
Wavelength range	(nm)	450 .. 650
Working distance	(mm)	20 .. 80
CTF @ 50 lp/mm	(%)	> 25
F-number		4-16
Diameter	(mm)	197
Length	(mm)	448
Weight	(g)	6800
Mount		C

Rev No.	Description	Date	Name
A	Layout	03/07/09	A. Bnà
B	Layout MOD	11/11/09	A. Bnà



Material	N. A.		Mass	6770 gr.	Scale	1:2
Surface treatment	N. A.		Project-Prod Item/Instrument	PC12030HP		
Geometrical tolerance (ISO 2768-2)			Class	K	Undimensioned bevels	1x45°
Linear tolerance (ISO 2768-2)			Class	m	Undimensioned radii	R 0.5
0.5	>3-	>6-	>30+	>120	>400+	>1000
±0.1	±0.1	±0.2	±0.3	±0.5	±0.8	±1.2
±0.1	±0.1	±0.2	±0.3	±0.5	±0.8	±1.2
Date			Name			
Designed			03/07/09	A. Bnà		
Draw			11/11/09	A. Bnà		
Checked			X	C.Sedazzari		
Drawing No.			18481-0-B		Sheet	
Drawing No.			18481-0-B		1/1	
Reproduction forbidden without specific authorization						
www.opto-engineering.com						
OPTO ENGINEERING S.r.l. - 46100 Mantova Italy - Via Cremona, 29/2 - Tel. +39 0376 263565 - e-mai: info@opto-engineering.com - http://www.opto-engineering.com						